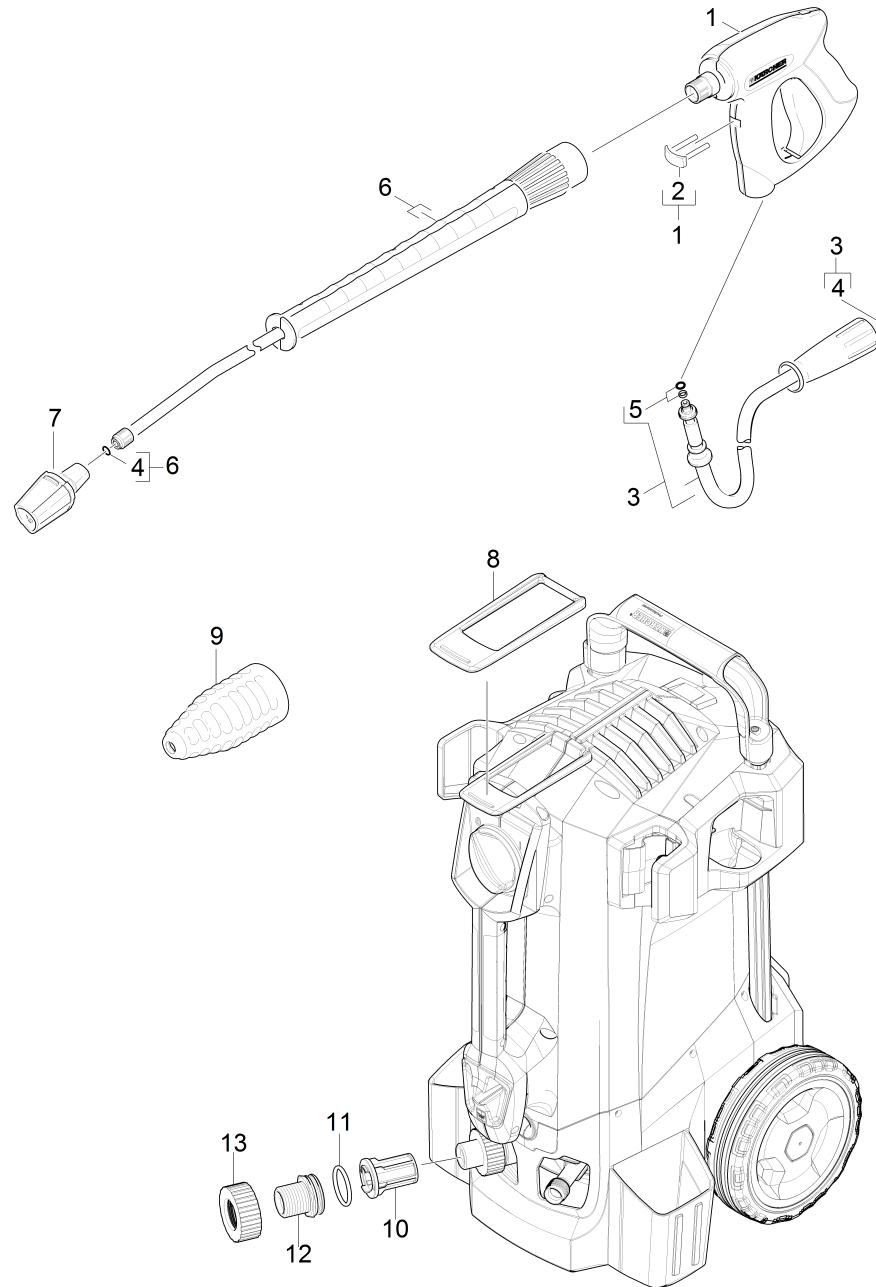


100 Short spare parts list (1.520-142.3)

Professional \ High pressure cleaner cold water \ Electric motor \ HD 5/15 C Plus *EU \ Short spare parts list



100 Short spare parts list (1.520-142.3)

Professional \ High pressure cleaner cold water \ Electric motor \ HD 5/15 C Plus *EU \ Short spare parts list

KÄRCHER

POS	Article no.	Description	Quantity	Unit
1	4.775-463.0	HAND TRIGGER GUN EASY PRESS	1.000	ST
2	4.037-013.0	Hook	1.000	ST
3	6.391-238.0	Hose assembly standard DN6 25MPa 10m	1.000	ST
4	2.880-990.0	Spare part set O-Ring 5x -Kaercher	2.000	ST
5	4.363-691.0	O-Ring seal kpl. -nur fuer Ersatz-	1.000	ST
6	4.760-663.0	Jet pipe packaged only for replacement	1.000	ST
7	4.767-195.0	Triple jet nozzle only for replacement 0	1.000	ST
8	5.379-043.0	Strap	1.000	ST
9	4.767-022.0	Dirt blaster 035	1.000	ST
10	5.731-666.0	Filter cartridge with cone	1.000	ST
11	6.363-437.0	O-Ring seal 30x3	1.000	ST
12	5.064-423.0	Connection piece water intake	1.000	ST
13	5.064-465.0	Nut water intake	1.000	ST